

ACP505_12V_A-pillar DMS Camera Specifications




Applicable Model: MD833H\MD600

Change History

File Name	ACP505_12V_A-pillar DMS Camera Specifications		
Project	MD833H\MD600	Creation Date	2025/6/18
Subproject	Accessory Specifications	Total Pages	5
Version	V1.0	Confidential	External Documentation

Copyright and Disclaimer

Copyright © Meitrack Group 2025. All rights reserved.

MEITRACK and  are trademarks that belong to Meitrack Group and its subsidiary.

The user manual may be changed without notice.

Without prior written consent of Meitrack Group, this user manual, or any part thereof, may not be reproduced for any purpose whatsoever, or transmitted in any form, either electronically or mechanically, including photocopying and recording.

Meitrack Group shall not be liable for direct, indirect, special, incidental, or consequential damages (including but not limited to economic losses, personal injuries, and loss of assets and property) caused by the use, inability, or illegality to use the product or documentation.

Documentation Update Records

Version	Date	Modified
1.0	2024-8-09	Initial draft.
1.1	2025-06-18	Add installation diagrams

Contents

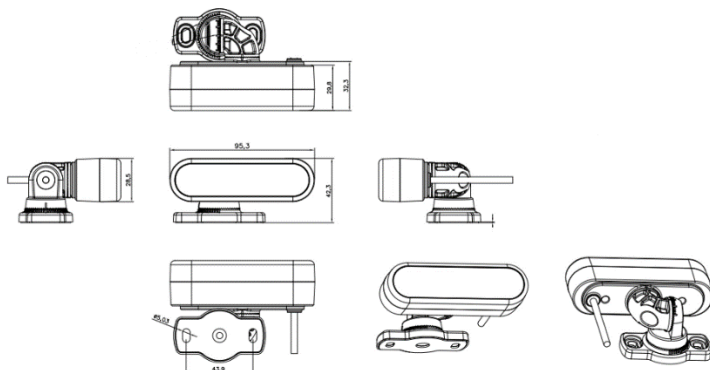
1 Product Specifications	- 4 -
2 Standard Configuration.....	- 4 -
3 installation	- 5 -

1 Product Specifications

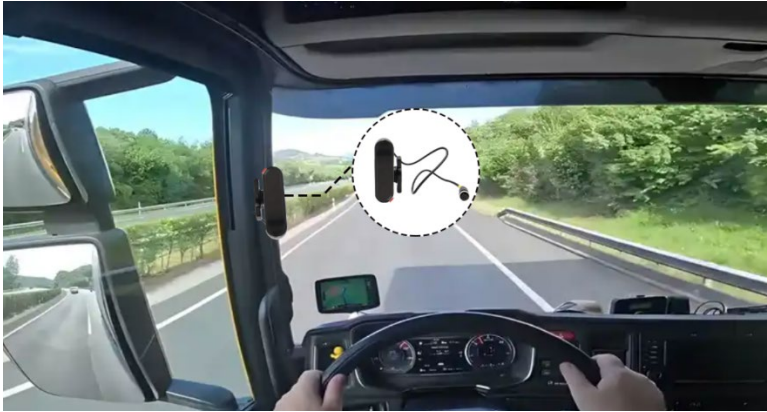
Item	Specifications
Sensor Type	200W CMOS
Pixel size	3.0um*3.0um
Lens/sensor distortion angle	-5%
Imaging target surface	1/2.7"
Lens	4G
Focal Length	6mm
Aperture	F2.0
Metal Lens Interface Type	M12xP0.5
Field of View Angle	D=65° H=56° V=31°
Image Mode	Monochrome Image
Infrared light effective distance	0-1.2m
Infrared light wavelength	940nm
Wide dynamic range	85dB
Resolution	The default is 1280 x 720P.
Output signal	AHD analog high definition
Video format	P system
Frame rate	25fps
Supply voltage	VCC12V(+/-0.2v)
Current	150mA(+/-10%)
Power consumption	1.8 W(+/-10%)
Operating temperature	-20°C - +70°C
Storage temperature	-25°C - +80°C
Aviation wire length	520mm(+/-50mm)

2 Standard Configuration

Order	Name	Quantity	Unit	Remarks
1	In-car camera	1	Pcs	Standard



3 installation



If you have any questions, do not hesitate to email us at info@meitrack.com.